

F3 remote indication



F3 remote indication

The F3 remote indication ensures that the most important device functions are displayed even in case of a power failure based on its battery supply. The emergency lighting operation can be blocked during operating downtimes with a key switch. The battery maintenance charging is not affected by blocking the emergency operation. A differential loop monitoring leads to the system going into standby in case of short circuit or breakage detection. LED displays: System readiness, source for safety services, failure. The F3 remote indication thus meets the requirement that remote operation is only possible if it cannot be activated by unauthorized persons.

Connection terminals wall surface-mounting	2.5 mm ² solid or flexible
Dimensions in mm (W x H x D)	160 x 80 x 55
Connection terminals for flush-mounting	1.5 mm ² rigid or 1 mm ² flexible
Dimensions in mm (W x H x D)	80 x 80 x 55
Housing colour	similar to RAL 7035 light grey

F3 remote indication for flush-mounting

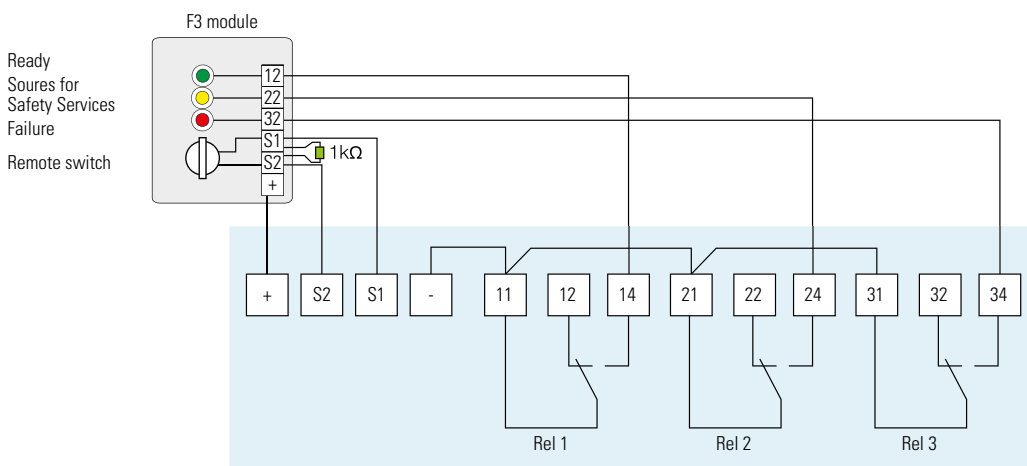


Ordering details

Type	Scope of supply	Order No.
F3 remote indication	Module surface mounting	40071338497
F3 remote indication recessed	Performance for installation in the flush-mounted switch or empty space box according to DIN VDE 0606	40071347490

Remote switch

Control loop for blocking LP-STAR during operating downtimes with differential loop monitoring for short circuit and wire breakage detection.



Differential monitoring: Short circuit or interruption lead to unlock LP-STAR
 F3 switch closed: Device ready
 F3 switch open (1 kΩ): Device blocked

I/O ethernet module



I/O ethernet module

- Connection as F3 interface with F3 module (optionally available) to CGVision
- Control and monitoring of external devices via up to seven pot. free relay outputs or up to eight digital inputs
- Integrated web server, for control/monitoring via standard web browsers (e.g. Firefox)
- Blocking input (input 8) with differential loop monitoring (closed-circuit principle)
- Integrated e-mail program, can be freely configured for up to ten e-mail recipients
- Voltage supply either 230V/AC or 24V/DC

Ordering specifications I/O ethernet module

Scope of delivery	Order No.
I/O ethernet module (via LAN), for DIN rail	40071360115