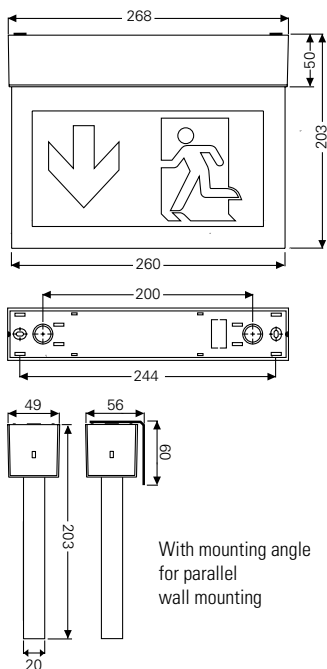


1903 LED CG-S aluminium
with panel PL/PR



1903 LED CG-S white
with panel PL/PR W 90°



1903 LED CG-S

- LED escape sign panel luminaire in surface-mounted design with minimised rectangular housing form
- Simple mounting of screenprinted pictogram panel via snap-fitting
- 90° wall mounting achieved via special pictogram panel rotated at 90°
- Special LED converter, with integrated monitoring module for single luminaire monitoring
- Increased safety with use of 3-chip LEDs
- Minimum maintenance effort via high LED service life (50,000 hours)
- Shortened inspection effort due to CEWA GUARD technology
- Automatic function monitoring of up to 20 luminaires per circuit
- Reduced installation expenditures by STAR technology
- Freely programmable mixed operation of the switching modes per luminaire in one circuit

Viewing distance	22 m
Luminous flux Φ_E/Φ_N at the end of rated operating time	100 %
Housing material	Plastic
Weight incl. panel	1.28 kg
Housing colour	White / Aluminium
Type of mounting	Wall or ceiling mounting
Connection terminals	Clamp terminal 2.5 mm ²
Connection voltage	220 – 240 V AC, 50/60 Hz 176 – 275 V DC
Current consumption - battery operation (220 V)	12 mA
Power consumption mains operation (apparent power / effective power)	5.5 VA / 3.0 W
Permissible ambient temperature	-10 °C to +40 °C
Light source	LED batten with 3-chip LEDs

Ordering details

Type	Scope of supply	Order No.
1903 LED CG-S white	Luminaire housing plastic, without panel, colour white, with CEWA GUARD monitoring and 20-digit address switch	40071352230
1903 LED CG-S aluminium	Luminaire housing plastic, without panel, colour aluminium, with CEWA GUARD monitoring and 20-digit address switch	40071352235
Panel PL/PR acc. to ISO 7010	Two-sided pictogram panel 22 m	40071354660
Panel PU/PU acc. to ISO 7010	Two-sided pictogram panel 22 m	40071354661
Panel PU/BL acc. to ISO 7010	Two-sided pictogram panel 22 m	40071354662
Panel PL/BL acc. to ISO 7010	Two-sided pictogram panel 22 m	40071354663
Panel PR/BL acc. to ISO 7010	Two-sided pictogram panel 22 m	40071354664
Panel PL/PR-R* 90° acc. to ISO 7010	Two-sided pictogram panel 22 m, wall mounting	40071354666
Panel PL/PR-W* 90° acc. to ISO 7010	Two-sided pictogram panel 22 m, wall mounting	40071354665

Accessories

Type	Order No.
Mounting angle	for parallel wall mounting, white 40071350599
Suspension set 0.5 m	white canopy and aluminium pendulum tube 40071348721
Suspension set 0.5 m	aluminium canopy and pendulum tube 40071352842

* R = Arrow from mounting wall
W = Arrow to mounting wall