

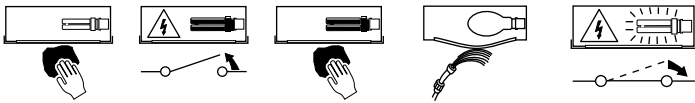
Safe Operation

1. Check the rating label for voltage and frequency before connecting this luminaire to the electrical supply.
2. Ensure that the mains supply is switched off when working on this luminaire, whether installing or carrying out any other servicing.
3. Do not mount luminaire on or close to readily flammable materials.
4. To prevent damage to driver, do not mix with conventional magnetic ballasts on the same electrical circuit.
5. Where use in more onerous situations is required, e.g. In part-completed buildings before "drying-out" is completed, or areas where ambient temperatures are outside the normal temperature range, then consult our Sales Office.
6. Ensure the fixing is adequate for the luminaire weight.

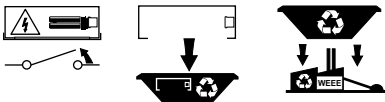
Servicing and Disposal

1. At commissioning and handing over of installation ensure that a copy of these instructions is presented to the authority responsible for the operation and maintenance of the luminaries.
2. Servicing, e.g. cleaning, must only be carried out after the electricity supply has been switched off. It must not be assumed that luminaries with lamps not lit are switched off-always check before servicing.
3. Cleaning should be carried out at regular intervals to ensure that dirt does not accumulate to an extent that will impair the thermal safety or optical performance of the luminaire. Regular cleaning will also ensure that the optical performance of the luminaries is maintained.
4. Avoid touching the LED optics. To clean - Blow surface with either dry air or nitrogen gas.
5. At the end of life the luminaire is classed as WEEE under directive 2002/96/EC and should be disposed of in accordance with local legislation.

Luminaire Cleaning



End of Life and Components Disposal



Cooper Lighting and Safety Ltd
Wheatley Hall Road, Doncaster, South Yorkshire, DN2 4NB

Sales	General	International Sales
T: +44 (0)1302 303303	+44 (0)1302 321541	+44 (0)1302 303250
F: +44 (0)1302 367155	+44 (0)1302 303220	+44 (0)1302 303251
E: sales@cooper-ls.com	technical@cooper-ls.com	export@cooper-ls.com

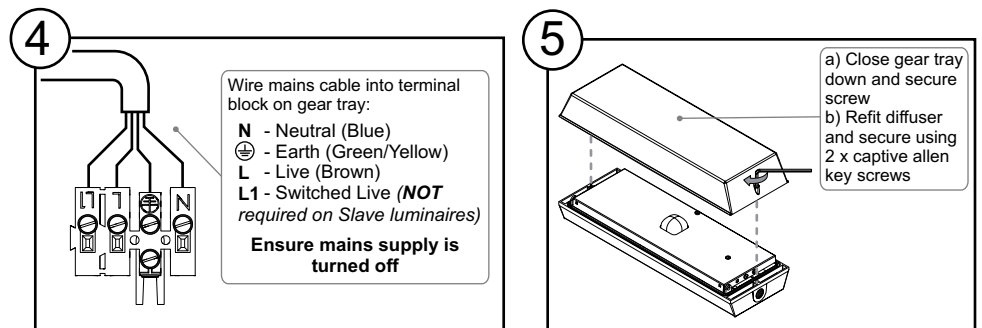
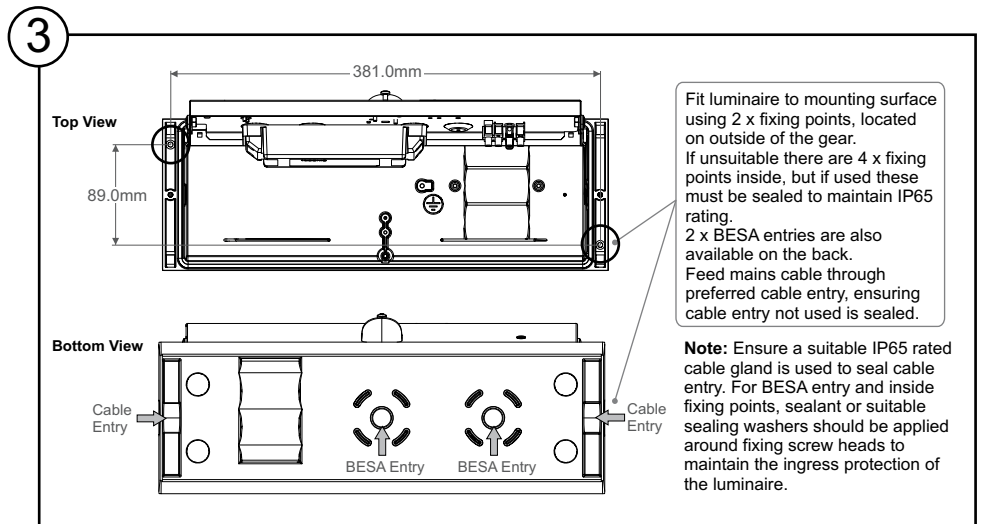
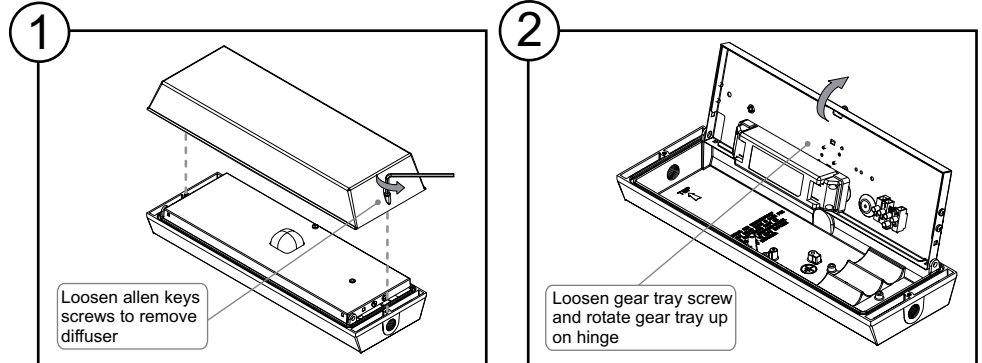
K989V

COOPER Lighting and Safety

Installation Instructions for: Alfalux LED CG-S

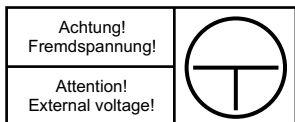
IP65


Product luminaires comply with EN60598 and are suitable for use in normal interior and exterior conditions. This luminaire has an ambient temperature range of -15°C to +40°C



Safety Notes

- The luminaire shall only be used for its intended purpose and in an undamaged and perfect condition!
- Only genuine Cooper Safety spare parts may be used for replacement and repair!
- When working on the emergency luminaire first the system must be blocked, battery operation must be interrupted and mains must be cut off. Enclosed indication label on the emergency luminaire:



- Prior to its initial operation, the luminaire will have to be checked in accordance with the instructions as per section 'Installation'!
- Carry out the marking of the emergency luminaire:
Assign the circuit, the luminaire no. and ID no. and enter them.
- The manual log book shall be performed in compliance with the national regulations. It is not applicable by automatical log book!
- Any foreign matter shall be removed from the luminaire prior to its initial operation!
- Observe the national safety rules and regulations for prevention of accidents as well as the safety instructions included in these operating instructions marked with .

Conformity to standards

Conforms to: EN 60 598-1, EN 60 598-2-22 and DIN EN 1838.
Developed, manufactured and tested in accordance with DIN EN ISO 9001.

Technical Data

Input voltage:	220-240 V AC, 50/60 Hz, 176 V - 275 V DC
Enclosure material:	Die-cast Aluminium/Clear polycarbonate
Colour of enclosure:	White
Luminous flux ϕ_iE/ϕ_iNenn at the end of rated operating time:	100%
Supply terminals:	3 x 2 x 2.5 mm ²
Insulation class:	I
Degree of protection acc. to EN 60529:	IP 65
Lamp:	HighPower LEDs
Admissible amb. temperature:	-15°C...+40°C
Weight:	High bay version: 2.7 kg Mid bay version: 2.5 kg
Current consumption battery operation:	36 mA
Connection power mains operation: (apparent power/active power)	13.8 VA / 8.2 W
Nominal lamp lumen output:	High bay version: 480.0 Lumens Mid bay version: 662.0 Lumens (NOTE: This figure is obtained after safety cycling tests)

Brief description / Scope of application

The Highbay and Midbay luminaires Alfalux LED CG-S are suitable for operation on CEAG emergency lighting systems acc. to EN 50 172, DIN VDE 0100-718 and E DIN VDE 0108-100 . The advanced switching and monitoring mode is only available in combination with CEAG CG-S-technology.

Installation / Operation



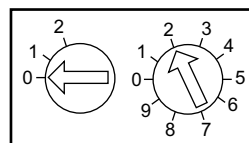
For the mounting and operation of electrical apparatus, the respective national safety regulations as well as the general rules of engineering will have to be observed!

Mounting

Find the detailed description on the front page.

Addressing / Single luminaire monitoring

Special LED-Converter with integrated monitoring module for individual monitoring of luminaires (monitoring of the supply and automatic detection of faulty supply of the LED-module) with 20 addresses. Before fitting the luminaire, the individual luminaires will have to be performed. To do so, the desired address (1-20) is set on the address switch by means of a suitable screw driver (arrowhead to no.). If the luminaire should not be monitored, the code 0/0 has to be selected.



Address switch 1	Address switch 2	Address of lamp
0	0	Monitoring off
0	1	1
0	2	2
...
1	0	10
1	1	11
...
...
2	0	20

Inspection/Maintenance/Repair

Observe the valid regulations for the inspection, maintenance and repair of electrical equipment!



In case of returns you need a RMA - number from us. For further information see www.ceag.de!

Disposal / Recycling

When disposing of faulty equipment, observe the valid regulations for recycling and disposal. Plastic parts are marked with the appropriate symbols.

We reserve the right to make technical alterations without notice!