

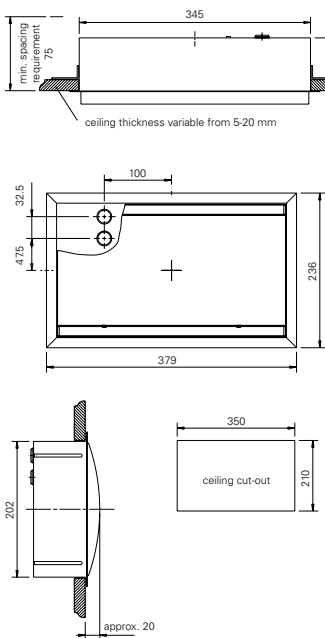
Style 23011 LED CG-S

- Safety luminaire for recessed ceiling mounting
- Spezielle LED-Optikanordnung für besonders effiziente Fluchtwegeausleuchtung, Lichtpunkthöhen bis 6 m, maximaler Abstand Leuchte zu Leuchte: > 16 m ab 3 m Lichtpunkthöhe und > 20 m ab 4,5 m
- Minimum service requirement due to high service life of the LEDs (50,000 hours)
- Shortened inspection effort due to CEWA GUARD technology
- Automatic function monitoring of up to 20 luminaires per circuit
- Reduced installation expenditures by STAR technology
- Freely programmable mixed operation of the switching modes per luminaire in one circuit

23011 LED SL CG-S with transparent cover



Dimensions in mm



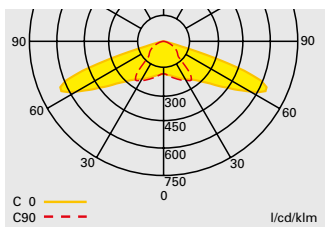
Luminous flux Φ_N	320 lm
Luminous flux Φ_E/Φ_N at the end of rated operating time	100 %
Housing material	Polycarbonate
Housing colour	Light grey RAL 7035
Weight	1.99 kg
Type of mounting	Ceiling mounting
Connection terminals	2 x 3 x 2.5 mm ²
Connection voltage	220 - 240 V AC, 50/60 Hz 176 - 275 V DC
Power consumption mains operation (apparent power / effective power)	7.6 VA / 4.4 W
Permissible temperature range	-20 °C to +40 °C
Current consumption - battery operation (220 V)	19 mA
Light source	3 x 1 W LED

Ordering details

Type	Scope of supply	Order No.
Style 23011 LED SL CG-S	Housing for recessed mounting, including LED-supply with CG-S technology and LED-circuit board 3 x 1 W, for escape route lighting and transparent cover	40071350165

Planning help for 23011 LED SL CG-S for E = 1.0 lx (0.5 lx) with transparent cover

Measuring level 0.02 m, maintenance factor MF = 80 %, battery operation, distances in m



Light distribution curve 23011 LED CG-S

Mounting height [m]	Types of mounting	Types of mounting			
		L1	L2	L3	L4
2.5	Ceiling mounting	3.1 (3.9)	7.9 (9.6)	6.5 (7.4)	14.7 (16.0)
3.0	Escape route centre	3.2 (4.2)	8.5 (10.5)	7.2 (8.4)	16.7 (18.4)
4.0		3.6 (4.5)	9.0 (11.7)	7.6 (9.9)	19.8 (22.7)
5.0		4.2 (4.8)	9.6 (12.5)	6.4 (10.7)	21.3 (26.1)
6.0		4.4 (5.4)	10.8 (12.8)	4.3 (10.5)	20.9 (28.6)
7.0		0.9 (6.0)	11.9 (13.4)	0.9 (9.1)	18.1 (30.0)
2.0	Wall mounting	1.6 (2.2)	4.4 (5.7)	1.5 (2.2)	4.4 (5.7)
2.5		1.3 (1.9)	3.8 (5.2)	- (1.8)	3.7 (5.2)
3.0		- (1.6)	3.2 (4.6)	- (-)	- (4.6)
2.5	Ceiling mounting	2.4 (2.9)	6.6 (7.4)	7.5 (7.6)	13.6 (14.2)
3.0	Room illumination	2.4 (3.6)	7.6 (8.4)	8.5 (8.0)	15.4 (16.6)
4.0		2.4 (3.4)	8.8 (10.2)	6.5 (10.5)	19.6 (21.2)
5.0		3.4 (3.4)	9.4 (11.6)	4.5 (8.5)	21.6 (25.6)
6.0		3.4 (3.4)	9.2 (12.8)	4.5 (8.5)	22.2 (28.4)
7.0		0.7 (4.4)	9.4 (13.2)	0.7 (6.5)	19.2 (30.4)