

© three-dimensional trademark



40 mm



70 mm



100 mm



133 mm

AGRI-FOOD INDUSTRY - 1 OR 2 T8 LAMPS - CLASS 1

EINSTEIN AGRO

IMPERVIOUS TUBULAR LIGHT FITTING FOR AGRI-FOOD APPLICATIONS

TUBULAR

Increased mechanical resistance
Easy to clean
Limited dirt accumulation
360° orientation

IMPERVIOUS (IP68/IP69K)

Absolute imperviousness
No internal dust accumulation
Maximum light output
Adapted for pressure cleaning

ROBUST

Mechanical assembly not affected by external mechanical and/or chemical aggression

DURABLE

High resistance to shocks and corrosion
Single-piece housing, materials and components selected to ensure long-term investment

Warranty 5 years

ELECTRICAL CLASS	CLASS 1
FIRE RESISTANCE	650°C
PROTECTION	IP68/IP69K
SHOCK RESISTANCE	IK10
OPERATING TEMPERATURE	-20°C +40°C



DESCRIPTION

SPECIAL HOUSING FOR AGRI-FOOD APPLICATIONS

The housing is of coextruded polycarbonate with an external layer of methacrylate. Both layers are inseparably and offer a long lasting resistance to shocks and chemical aggressions:

- The shock resistance of polycarbonate
- The resistance to cleaning agents of methacrylate

ROBUST ELECTRONIC COMPONENTS

EINSTEIN AGRO is equipped with electronic ballast developed for industrial use:

- Hardened components resisting discontinuously to temperatures up to 40°C
- Resistance to voltage peaks up to 4 kV
- Resistance to overvoltage 320 V AC 1h
- Automatic extinction of defective lamps to avoid damaging the ballast

LONG-LIFE FLUORESCENT TUBES

Luminaires equipped with long-life fluorescent tubes (life-span 3 times higher than standard lamps) allowing to reduce maintenance costs and environmental impact.

- Colored temperature 4000K, IRC85

STAINLESS STEEL 316L

All metal parts of the housing (end caps, fixings) are in agri-food-proof 316L stainless steel with little content of carbon to limit corrosion of pitting. Screws are in stainless steel A4.

DISCONNECTABLE PLUG

The luminaire EINSTEIN AGRO is equipped with a disconnectable plug IP68, lockable with an aluminium threaded ring (tool free), allowing the maintenance of the luminaire out of the production area and minimizing production interruptions and the risk of falling parts.

REINFORCED BOLT-FITTED FIXING STRAPS

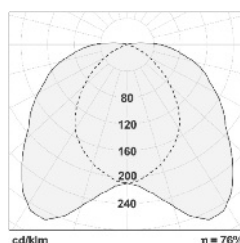
The reinforced bolt-fitted fixing straps in 316L stainless steel for tool free mounting allow the horizontal or vertical fixing of the luminaire as wall or ceiling light fitting.

ACCESSORIES

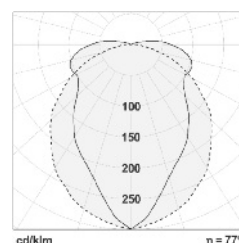
Distance piece



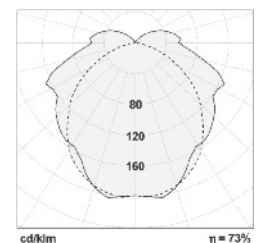
PHOTOMETRIES



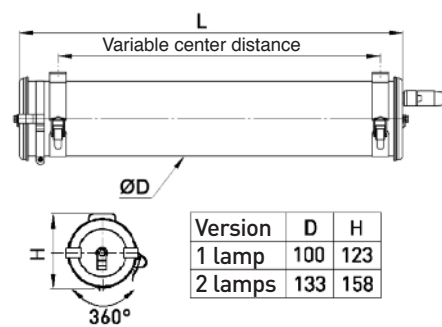
Ausführung 1 Lampe
Breitstrahlender Reflektor



Ausführung 1 Lampe
Tiefstrahlender Reflektor



Ausführung 2 Lampe
Breitstrahlender Reflektor



MAIN REFERENCES

POWER	DESIGNATION	CODE	OPTICS	L (mm)	WEIGHT (kg)
	Intensive reflector (narrow beam for passages and task lighting...)				
1x36W	EIN100 AGRO 136 RI	6505 0020		1307	4,2
1x58W	EIN100 AGRO 158 RI	6505 0030		1607	5,3
	Extensive reflector (large beam for general lighting ...)				
1x36W	EIN100 AGRO 136 RE	6505 0050		1307	4,2
1x58W	EIN100 AGRO 158 RE	6505 0060		1607	5,3
2x36W	EIN133 AGRO 236 RE	6605 0020		1287	5,6
2x58W	EIN133 AGRO 258 RE	6605 0030		1587	7,2

Option codes to be added or to replace the designation codes of main references, subject to the compatibility of options