

GHG 793 0101 R0002

GHG 793 0101 R0001

Technical data

Type 793 01 up to 5 terminals

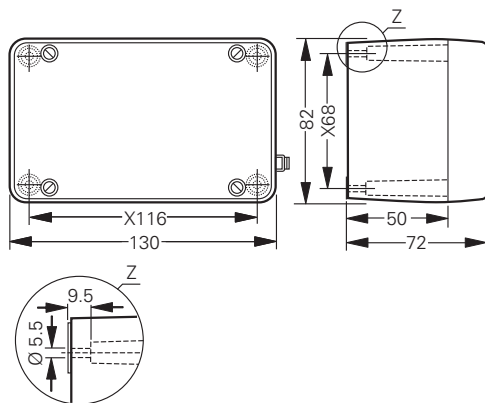
Marking accd. to 94/9/EC	⊕ II 2 G Ex dem ia II, IIC T6 / ⊕ II 2 D Ex tD A21 IP66 T80 °C
EC-Type Examination Certificate	PTB 00 ATEX 3108
Permissible ambient temperature	-20 °C to +40 °C -55 °C to +55 °C (option)
Rated voltage	690 V
Rated current	depends on terminal cross section
Terminal cross section	max. 3 x 4 mm ² or 1 x 10 mm ² with pin cable lug + 1 x 2.5 mm ² fine wire max. 3 x 6 mm ² or 4 x 4 mm ² solid-wire
Protection class	I
Degree of protection accd. to EN 60529	IP66
Cable entry/enclosure drilling	max. 4 x M20 drilling
Dimensions (L x W x H)	82 x 130 x 72 mm
Weight	approx. 0.8 kg
Enclosure material	light alloy die-casting (AlSi)
Enclosure colour	light grey

Ordering details

Content	Cable gland	No. of terminals	Order No.
GHG 793 01 up to 4 terminals			
	2 x M20 drilling	4 x Ex-e, 1 x PE	GHG 793 0101 R0001
	4 x M20 drilling incl. 2 x blanking plug M20	4 x Ex-e, 1 x PE	GHG 793 0101 R0002

Other applications available on request.

Dimension drawing



Type 793

X = fixing dimensions

Dimensions in mm