



**Technical data**

**Type S-TB terminal boxes**

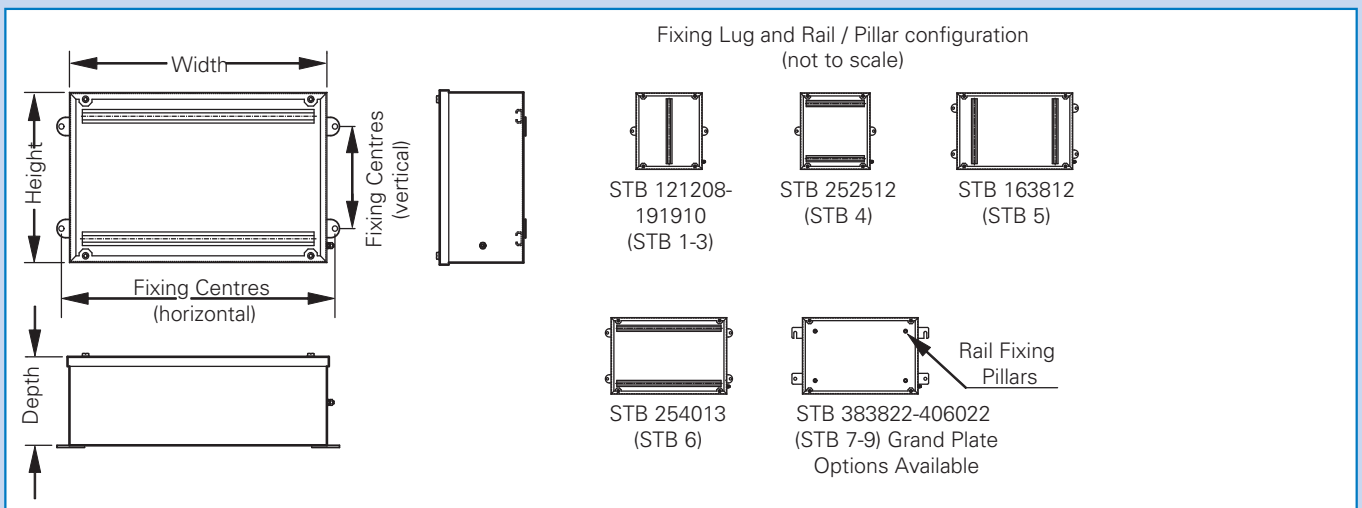
Marking accd. to 94/9/EC	II 2 G Ex e IIC Gb II 2 D Ex tb IIIC Db
Temperature class	T6 up to +40 °C / T5 up to +55 °C
EC-Type Examination Certificate	BVS 13 ATEX E 015 U
Application temperature	-30 °C to +40 °C -40 °C to +55 °C (option)
IECEX Certificate of Conformity	IECEX BVS 13.0025U
Marking accd. to IECEx	Ex e IIC Gb Ex tb IIIC Db
Rated voltage	up to 690 V*
Rated current	up to 500 A*
Connecting terminals	up to 240 mm <sup>2</sup> *
Protection class	I
Degree of protection accd. to EN 60529	IP66
Cable glands/gland plates/enclosure drilling	up to 4 side optional gland plate combination with entries to meet requirements (38/38/20 - 60/40/20) combination with entries to meet requirements
Type of mounting	S-TB 12/12/08 - 25/25/12 2 welded lugs with Ø 8 mm holes S-TB 16/38/12 - 25/40/13 4 welded lugs with Ø 8 mm holes S-TB 38/38/22 - 60/40/20 4 welded lugs with Ø 11 mm holes
Enclosure material	Stainless steel 316 L or 304
Material thickness	1.5 mm
Components mounting	12/12/08 - 25/40/13 internally welded TAS 20 rail for terminals mounting 38/38/20 - 60/40/20 4 x stand of pillars Ø 9 mm, 25 mm height, thread M6 x 10, for rail or mounting plate
Enclosure earth	12/12/08 - 25/40/13 M6 external/internal earth stud assembly 38/38/20 - 60/40/20 M10 external/internal earth stud assembly
Gasket material	Silikon-gasket

\* depending on type of terminal and Ex-components used

Additional certifications:

TR-CU and cUL<sub>Us</sub> types 3S, 4, 4 x on request.

**Dimension drawing**

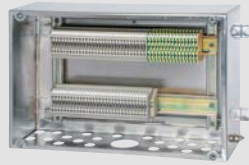


Dimensions in mm

## Ex-e terminal enclosures



S-TB



S-TB

### Ordering details S-TB up to 3 x 51 terminals

S-TB	Dimensions <sup>1)</sup> H x W x D in mm	Rail fixing centres <sup>1)</sup> vertical x horizontal	Weight in kg (empty enclosure)	Terminal rail		Terminal content					
				Rail fixing centres	Rail length	Row orientation vertical					
Size				vert.	horiz.	vert.	horiz.	2.5 (6)	4 (6.5)	6 (8)	10 (10)
<b>Enclosure dimensions and terminal content</b>											
S-TB 1	120x120x 80	145x145	1.4	62	82	1x 8	1x 6	1x 5	1x 4		
S-TB 2	150x150x 90	175x175	1.9	90	110	1x13	1x11	1x 8	1x 7		
S-TB 3	190x190x100	215x215	3.0	130	150	1x21	1x18	1x13	1x10		
S-TB 4	250x250x120	275x275	3.7	180	200	2x31	2x26	2x19	2x15		
S-TB 5	160x380x120	80x405	3.7	300	320	1x55	1x46	1x34	1x28		

S-TB	Available glanding area			Max. entry guide (metric)						Order No. <sup>4)</sup>	
	Top & bottom	left	right	Top & bottom / left / right							
Size	(with gland plates fitted) in mm			M16	M20	M25	M32	M40	M50	M63	

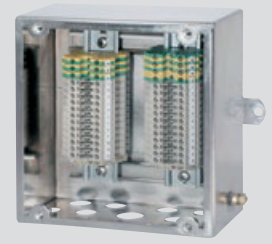
<b>Gland entry detail</b>											
S-TB 1	114x 63	114x 63	70x 63	7/7/4	3/3/1	2/2/1	2/2/1	-	-	-	STBS1121208
S-TB 2	144x 73	144x 73	100x 73	9/9/6	6/6/4	3/3/2	2/2/1	2/2/1	-	-	STBS1151509
S-TB 3	184x 83	184x 83	140x 83	18/18/14	8/8/6	7/7/5	3/3/2	2/2/2	2/2/1	-	STBS1191910
S-TB 4	244x103	244x103	200x103	32/32/26	18/18/14	10/10/8	7/7/6	3/3/3	3/3/2	2/2/2	STBS1252512
S-TB 5	372x103	154x103	330x103	50/20/44	29/11/24	15/6/14	12/4/10	5/2/5	4/1/4	3/1/3	STBS1254013

<b>Options</b>												
S-TB with gland 1 plate <sup>3)</sup>	STB <u>S</u> 1XXYYZZ <b>1</b>			S-TB with additional UL CERT						STB <u>S</u> 1XXYYZZ <b>UL</b>		
S-TB with gland 3 plate <sup>3)</sup>	STB <u>S</u> 1XXYYZZ <b>3</b>											

Type	Order No.
<b>Example</b>	
S-TB 2 with 3 gland plate and UL-certification	STBS1151509-UL

The information provided is based on the physical constraints of the enclosure. Please refer to the certificate for hazardous area applications.

- Note:** 1. Dimension drawing see page 2.2.51  
 3. Only this types includes UL-Certification and can be ordered with 1 or 3 gland plates  
 4. Refer to „OPTIONS“ for ordering key



S-TB

**Ordering details S-TB up to 5 x 79 terminals**

S-TB	Dimensions <sup>1)</sup> H x W x D in mm	Rail fixing centres <sup>1)</sup>		Weight in kg (empty enclosure)	Terminal rail				Terminal content			
		vertical x	horizontal		Rail fixing centres		Rail length		Row orientation vertical			
Size					vert.	horiz.	vert.	horiz.	2.5 (6)	4 (6.5)	6 (8)	10 (10)
<b>Enclosure dimensions and terminal content</b>												
S-TB 6	250x400x130	150x425		5.4	180	200			3x31	3x26	3x19	3x15
S-TB 7 <sup>2)</sup>	380x380x220	250x435		8.5	280	300			3x42	3x39	3x32	3x25
S-TB 8	480x480x200	340x535		10.5	380	400			4x61	4x56	4x46	4x36
S-TB 9 <sup>2)</sup>	600x400x220	464x456		13.0	500	520			5x79	5x73	5x59	5x47

S-TB	Available glanding area			Max. entry guide (metric)							Order No. <sup>3)</sup>
	Top & bottom	left	right	Top & bottom / left / right							
Type	(with gland plates fitted) in mm			M16	M20	M25	M32	M40	M50	M63	
<b>Gland entry detail</b>											
S-TB 6	394x113	244x113	350x113	54/32/48	30/18/26	16/10/14	13/7/11	6/3/5	5/3/4	4/2/3	STBS12540200
S-TB 7 <sup>2)</sup>	374x203	374x203	324x203	100/100/88	57/57/48	40/40/33	24/24/20	15/15/12	8/8/7	6/6/5	STBS13838220
S-TB 8	474x183	474x183	474x183	124/124/118	78/78/74	54/54/50	30/30/28	20/20/18	11/11/9	10/10/8	STBS14848200
S-TB 9 <sup>2)</sup>	337x124	337x124	337x124	108/164/152	60/93/84	40/65/60	26/40/38	17/26/23	9/14/13	7/11/10	STBS16040220

Options	
S-TB with gland 1 plate <sup>2)</sup>	STB <u>S</u> 1XXYYZZ <b>1</b>
S-TB with gland 3 plate <sup>2)</sup>	STB <u>S</u> 1XXYYZZ <b>3</b>
S-TB with additional UL CERT	STB <u>S</u> 1XXYYZZ <b>UL</b>

Type	Order No.
<b>Example</b>	
S-TB 7 316L SS with 3 gland plate incl. UL-certification	STBS13838223

The information provided is based on the physical constraints of the enclosure. Please refer to the certificate for hazardous area applications.

- Note:**
1. Dimension drawing see page 2.2.51
  2. Only this types includes UL-Certification and can be ordered with 1 or 3 gland plates
  3. Refer to „OPTIONS“ for ordering key