



EXKO 73 1813 D

Technical data

Ex-main circuit breaker 250 A

Marking accd. to 94/9/EC	Ex II 2 G Ex de ia/ib [ia/ib] IIC T4 ... T6 ¹⁾ Ex II 2 D IP66 T80 °C / T95 °C / T130 °C	
EC-Type Examination Certificate	PTB 99 ATEX 1057	
IECEX Certificate of Conformity	BKI 06.0006	
Marking accd. to IECEx	Ex de ia/ib [ia/ib] IIC T6/T5/T4 Ex tD A21 IP66 T80 °C / T95 °C / T130 °C	
Permissible ambient temperature	-20 °C up to +40 °C ²⁾	
Rated voltage	up to max. 690 V	
Rated current	max. 250 A	
Frequency	50/60 Hz	
Rated making/breaking capacity AC-3 accd. EN 60947-3	U _e 230 V / I _e 250 A U _e 400 V / I _e 250 A U _e 500 V / I _e 250 A U _e 690 V / I _e 250 A	
Back-up fuse	up to 400 V AC: 250 A gL up to 500 V AC: 250 A gL up to 690 V AC: 250 A gL	
Connecting terminals	main contact	150/95 mm ²
Protection class	I	
Degree of protection accd. to EN 60529	IP54 (optional IP65)	
Cable glands/enclosure drilling	M63 (d = 27 - 48 mm) see ordering details	
Weight	3-pole	approx. 50 kg
	4-pole	approx. 55 kg
Enclosure material	aluminium, powder-coated polyester connection box steel, powder-coated	
Colour	Enclosure	grey (RAL 7032)
	Cover	dark grey (RAL 7022)

¹⁾ Also available with Explosion Group IIB

²⁾ Other ambient temperatures on request

Ex-main circuit breaker



EXKO 73 1813 D

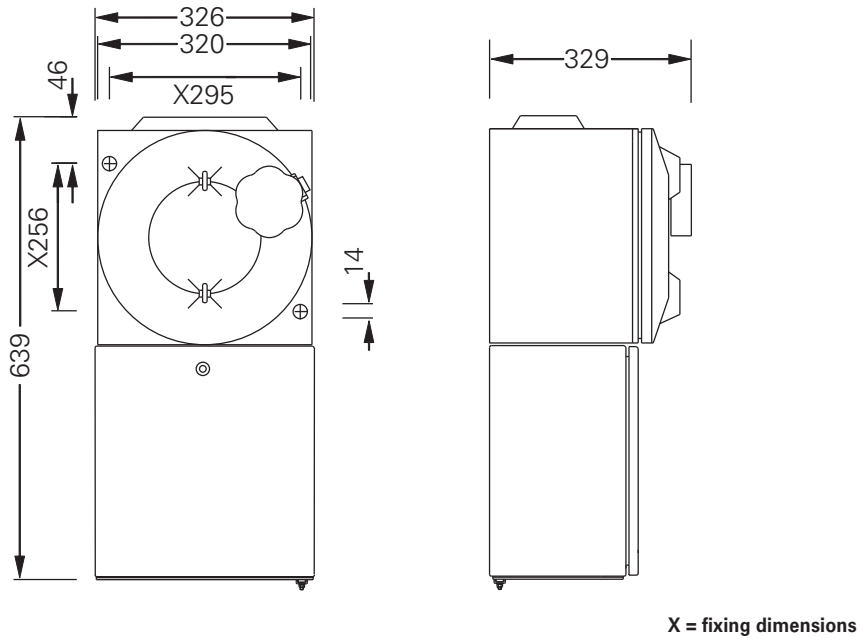
Ordering details

5

Content	Cable gland	Order No.
Ex-Main current switches 250 A		
3-pole	2 x M63	EXKO 73 1813 D0001
4-pole	4 x M63	EXKO 73 1814 D0001

Customized version on request

Dimension drawing



Dimensions in mm