

## Complete motor starter distribution



EXKO 208900 C 0001



EXKO 208900 A 0003

### Technical data

#### Complete motor starter distribution

Marking accd. to 94/9/EC	II 2 G Ex de ia/ib m [ia/ib] IIC T4 ... T6 II 2 D Ex tD A21 IP66/IP65 T80 °C/T95 °C
EC-Type Examination Certificate	PTB 99 ATEX 1044
Permissible ambient temperature	-20 °C up to +40 °C -55 °C up to +55 °C (option)
IECEX Certificate of Conformity	IECEX BKI 06.0007
Marking accd. to IECEx	Ex de ia/ib m [ia/ib] T4 ... T6 Ex tD A21 IP66 T80 °C
Rated voltage	690 V
Rated current	up to 180 A
Protection class	I
Terminal cross section	up to 240 mm <sup>2</sup>
Degree of protection accd. to EN 60529	IP66
Weight	see ordering details
Enclosure material	glass-fibre reinforced polyester
Enclosure colour	black

### Ordering details complete motor starter distribution

Content Motor capacity to AC 3	Type	Connection terminals	Cable glands	Weight approx.	Order No.
Direct circuit					
4 KW	1	10 mm <sup>2</sup>	3 x M25 (8 - 17 mm Ø)	20 kg	<b>EXKO 208 900 A 0001</b>
5.5 KW	2	16 mm <sup>2</sup>	3 x M25 (8 - 17 mm Ø)	32 kg	<b>EXKO 208 900 A 0002</b>
7.5 KW	2	16 mm <sup>2</sup>	3 x M25 (8 - 17 mm Ø)	36 kg	<b>EXKO 208 900 A 0003</b>
Reversing circuit					
4 KW	2	10 mm <sup>2</sup>	3 x M25 (8 - 17 mm Ø)	20 kg	<b>EXKO 208 900 B 0001</b>
5.5 KW	2	16 mm <sup>2</sup>	3 x M25 (8 - 17 mm Ø)	32 kg	<b>EXKO 208 900 B 0002</b>
7.5 KW	2	16 mm <sup>2</sup>	3 x M25 (8 - 17 mm Ø)	36 kg	<b>EXKO 208 900 B 0003</b>
Star-delta starter					
4 KW	2	10 mm <sup>2</sup>	4 x M25 (8 - 17 mm Ø)	20 kg	<b>EXKO 208 900 C 0001</b>
5.5 KW	2	16 mm <sup>2</sup>	4 x M25 (8 - 17 mm Ø)	32 kg	<b>EXKO 208 900 C 0002</b>
7.5 KW	2	16 mm <sup>2</sup>	4 x M25 (8 - 17 mm Ø)	32 kg	<b>EXKO 208 900 C 0003</b>
11 KW	3	16 mm <sup>2</sup>	1 x M25 (8 - 17 mm Ø) 3 x M25 (8 - 17 mm Ø)	56 kg	<b>EXKO 208 900 C 0004</b>

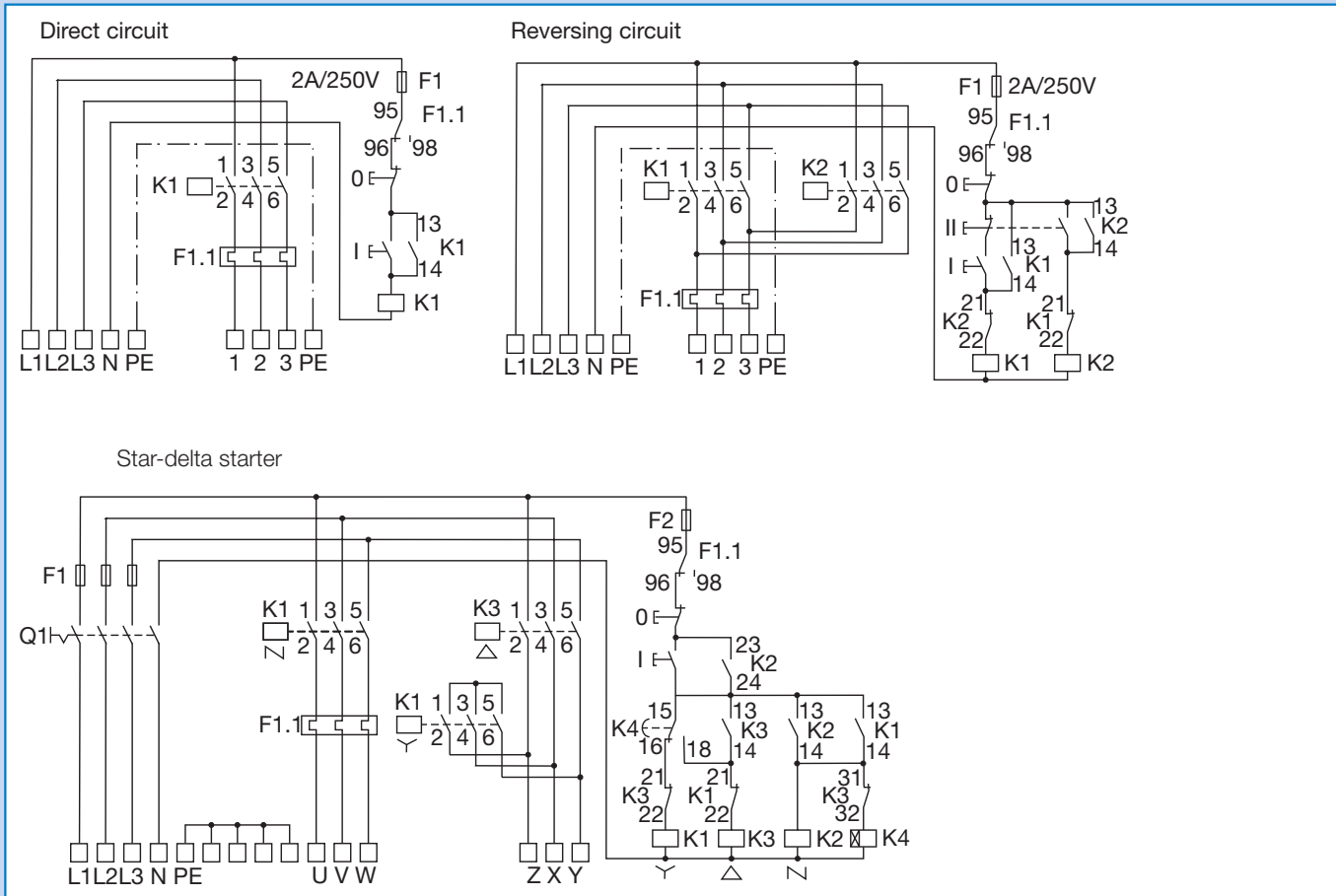
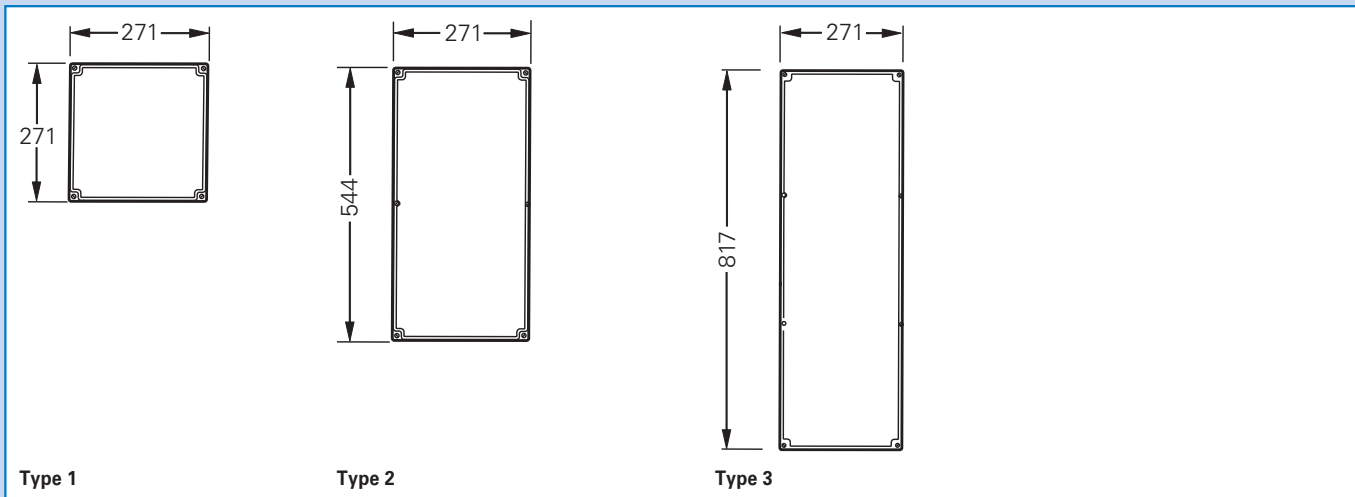
The motor starters are completely wired for connection by customer.



EXKO 208900 A 0003

EXKO 208900 C 0001

Dimension drawing | wiring diagram



6

Dimensions in mm