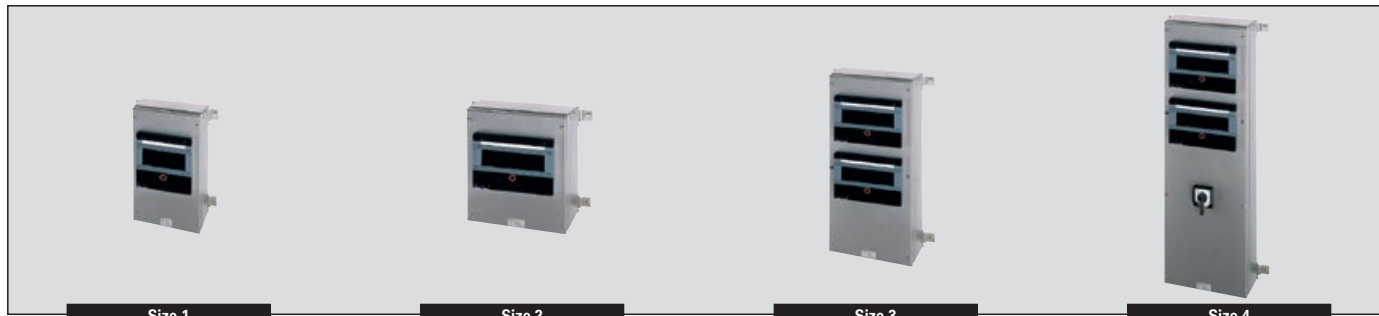


Ex-e empty enclosures in stainless steel



Technical data

Empty enclosure made of stainless steel

Marking accd. to 94/9/EC	⊕ II 2 G Ex e IIC Gb Ex de IIC T6, T5, T4 / ⊕ II 2 D Ex tb IIIC Db Ex tD A21 IP66 T80 °C, T95 °C ¹⁾
EC-Type Examination Certificate	PTB 99 ATEX 3118U
IECEX Certificate of Conformity	IECEX-PTB11.0030U
Marking accd. to IECEx	Ex e IIC Gb Ex tb IIIC Db
Operating temperature range	-20 °C up to +95 °C -55 °C up to +95 °C
Permissible ambient temperature ¹⁾	-20 °C up to +40 °C -55 °C up to +55 °C (option)
Rated voltage	440 V
Rated current	180 A
Protection class	I
Terminal cross section	up to 240 mm ²
Cable gland	acc. to customer specification
Degree of protection accd. to EN 60529	IP66
Enclosure material	Stainless steel AISI 316 L
Enclosure colour	electro-polished

¹⁾ The limits of the operating temperature range and the max. permissible temperature rise of the components have to be taken into account. See also pages 2.6.19.

Ordering details empty enclosure stainless steel

Content	Mounting width	Weight approx.	Order code
Size 1: 1 mounting area 106 mm			
Cover closed	106 mm	3.5 kg	GEH 100 00
Cover cut-out with small actuating flap for GHG 61	106 mm	3.8 kg	GEH 100 01 61
Cover cut-out with small actuating flap for GHG 62	106 mm	3.8 kg	GEH 100 01 62
Size 2: 1 mounting area 213 mm			
Cover closed	213 mm	7.5 kg	GEH 200 00
Cover cut-out with 1 actuating flap for GHG 61	213 mm	8.1 kg	GEH 200 01 61
Cover cut-out with 1 actuating flap for GHG 62	213 mm	8.1 kg	GEH 200 01 62
Size 3: 2 mounting areas 213 mm			
Cover closed	2 x 213 mm	11.5 kg	GEH 300 00
Cover cut-out with 1 actuating flap for GHG 61	2 x 213 mm	12.1 kg	GEH 300 01 61
Cover cut-out with 1 actuating flap for GHG 62	2 x 213 mm	12.1 kg	GEH 300 01 62
Cover cut-out with 2 actuating flaps for GHG 61	2 x 213 mm	12.7 kg	GEH 300 02 61
Cover cut-out with 2 actuating flaps for GHG 62	2 x 213 mm	12.7 kg	GEH 300 02 62
Cover with 1 actuating flap and main switch ≤ 40 A	1 x 213 mm	12.9 kg	GEH 300 03
Size 4: 3 mounting areas 213 mm			
Cover closed	3 x 213 mm	16.5 kg	GEH 400 00
Cover cut-out with 1 actuating flap for GHG 61	3 x 213 mm	17.1 kg	GEH 400 01 61
Cover cut-out with 1 actuating flap for GHG 62	3 x 213 mm	17.1 kg	GEH 400 01 62
Cover cut-out with 2 actuating flaps for GHG 61	3 x 213 mm	17.7 kg	GEH 400 02 61
Cover cut-out with 2 actuating flaps for GHG 62	3 x 213 mm	17.7 kg	GEH 400 02 62
Cover cut-out with 3 actuating flaps for GHG 61	3 x 213 mm	18.4 kg	GEH 400 03 61
Cover cut-out with 3 actuating flaps for GHG 62	3 x 213 mm	18.4 kg	GEH 400 03 62
Cover with 2 actuating flaps and main switch ≤ 40 A	2 x 213 mm	18.6 kg	GEH 400 04



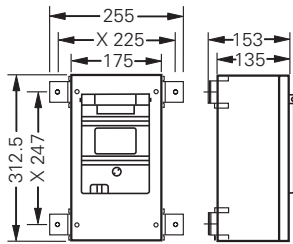
Size 4

Size 3

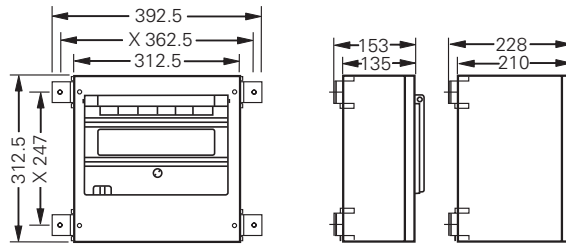
Size 2

Size 1

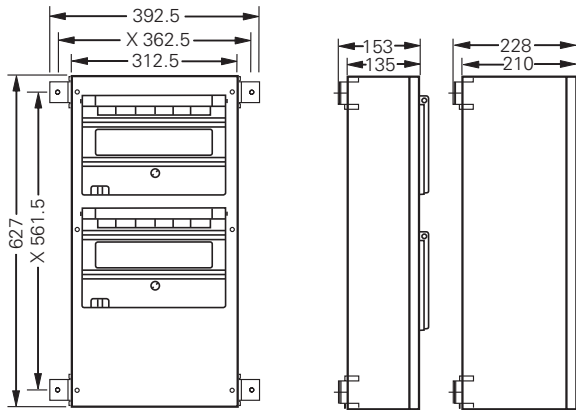
Dimension drawing



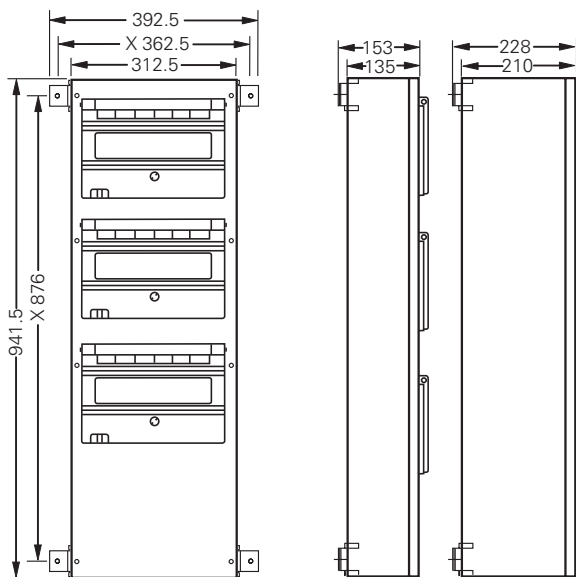
Size 1



Size 2



Size 3



Size 4

X = fixing dimension