

**PROTEx**line

Z2line



# ExII-Signalling Hooter mHP 11

## High volume sound device for use in zone 1 and 2

- ▶ Protection degree IP 54
- ▶ Volume approx 108 dB(A)
- ▶ Protection class II
- ▶ Explosion protection:  
II 2 G Ex e mb II T5
- ▶ Cable gland M20 x 1,5

## Application

The signalling hooter mHP 11 was developed for warning, calling and indicating purposes in zone 1 and 2 environment.

The hooter produces a sound volume of approx. 108 dB(A) at 1 m distance. It can be delivered in most common voltages.

## Design

The driver system consists of a strong, non-pda rised electromagnet, whose striker hits the diaphragm between 100 and 120 times a second.

All DC versions are equipped with an electronic contact breaker.

## Acoustic Signalling Device for zone 1 and 2

The signalling hooter mHP 11 was developed for warning purposes in zone 1 and 2 environment.



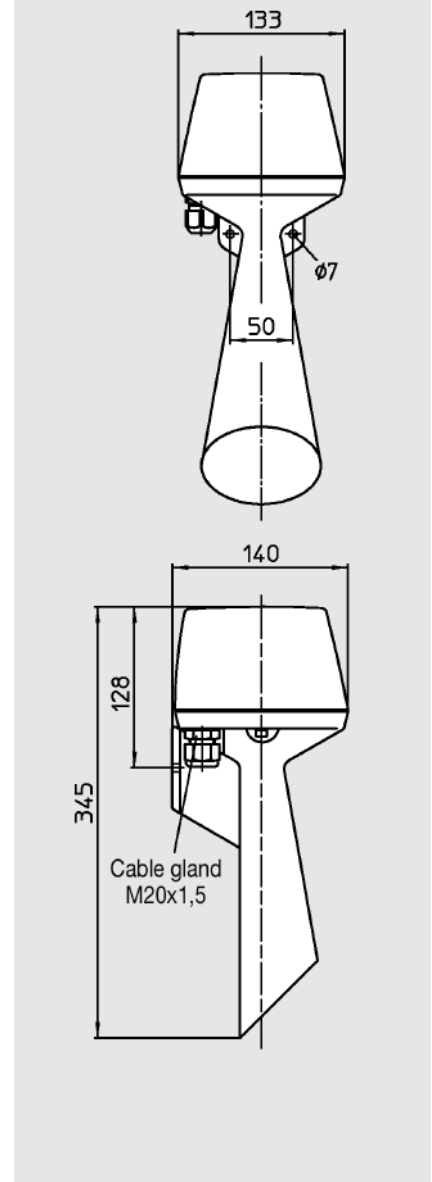
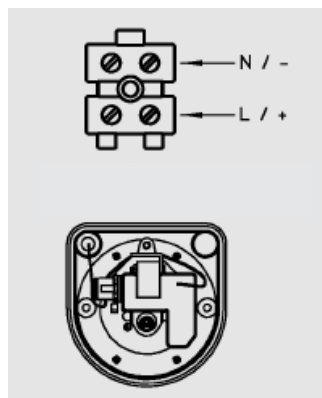
## Technical specifications

Material	PC, black
Cable cross section	up to 2.5 mm <sup>2</sup>
Cable gland	M20 x 1.5
Type of protection	II 2 G Ex emb II T5 -20 °C ≤ Ta ≤ +50 °C II 2 G Ex emb II T5 -20 °C ≤ Ta ≤ +60 °C

### Temperature range

DC-version	-20 °C up to +60 °C
AC-version	-20 °C up to +50 °C
Storage temperature	-60 °C up to +80 °C
Operating utilization	Sound outlet position downwards
Operating mode	Duty cycle ED 75%
Protection degree	IP54
Protection class	II
Volume	approx. 108 dB(A), 1m

Wiring diagram



## Order information

Type	Name	Rated voltage U <sub>e</sub>	Current consumption	Article no.
mHP 11	Signalling hooter without con. cable T5	24 VDC	0.3 A	401020111210
mHP 11	Signalling hooter without con. cable T5	115 VAC	0.15 A	401020111206
mHP 11	Signalling hooter without con. cable T5	230 VAC	0.07 A	401020111207

Subject to change without notice · Printout 03/12