



EXKO 233201 A0015

1

## Technical data

### Ex-protected portable power supply unit EXKO

Marking accd. to 94/9/EC	⊕ II 2 G Ex de IIC T4 / ⊕ II 2 D Ex tD A21 IP65 T95°C
EC-Type Examination Certificate	PTB 99 ATEX 1044
Permissible ambient temperature	-20°C up to +40°C
Rated voltage	400 V / 230 V
Rated current	63 A
Frequency	50 - 60 Hz
Back-up fuse external	63A gL / gG
Protection class	I
Degree of protection accd. to EN 60529	IP65
Cable entry	1 x M50 Trumpet shaped cable gland
Enclosure material	sheet steel, painted (option stainless steel AISI 316L) Wall socket: glass-fibre reinforced polyester, plug: polyamide
Dimensions (H x W x D)	metal frame stainless steel, squared 20 x 20 x 2 including lockable wheels 968 x 800 x 600 mm
Enclosure colour	RAL 7032

## Ordering details

Design	Components external	Order No.
1x MCB 4-pole - C40A, 10kA	1x Plug 63A 5-pole, 06h (GHG5147506R0001)	EXKO 233201 A0015
1x RCD 4-pole - 40A 0.03A 10kA	1x Wall socket 63A 5-pole, 06h (GHG5144506R0001)	
1x RCD 4-pole - 63A 0.03A, 10kA	3x Flange socket 32A 5-pole, 06h (GHG5128506R0001)	
3x RCD with overcurrent protection (1-pole+N, C16A/0.03, 10kA)	6x Flange socket 16A 3-pole, 06h (GHG5118306R0001)	
3x MCB 4-pole - C32A, 10kA	actuating flap for components	

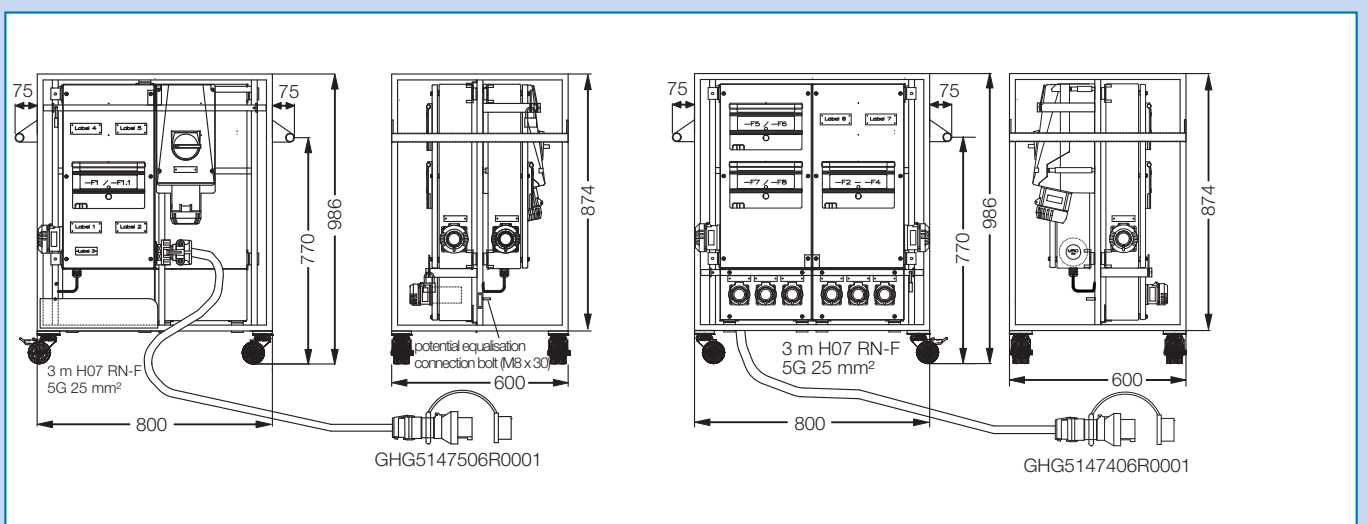
Option:

Padlock facility for enclosure cover

Enclosure material stainless steel AISI 316L

Customized solution for connection cable, plugs & sockets and rated voltage

## Dimension drawing



## Ex-protected portable power supply units



only for illustration

### Technical data

#### Ex-protected portable power supply unit EXKO 233201 A0016

Marking accd. to 94/9/EC	⊕ II 2 G Ex de IIC T4 / ⊕ II 2 D IP65 T95°C
EC-Type Examination Certificate	PTB 99 ATEX 1044
Permissible ambient temperature	-20 °C to +40 °C
Rated voltage	400 V / 230 V
Rated current	32 A
Frequency	50 Hz
Back-up fuse external	32 A gL / gG
Protection class	I
Degree of protection accd. to EN 60529	IP65
Cable entry	1x M32 Trumpet shaped cable gland, 1x M12 cable gland plastic
Connecting cable	H07RN-F 5 x 6mm <sup>2</sup> with plug 32A, 3 m
Enclosure material	Sheet steel, painted (optional: stainless steel AISI 316L), Wall socket: glass-fibre reinforced polyester, plug: polyamide
Dimensions (H x W x D)	Metal frame stainless steel squared 20 x 20 x 2 including lockable wheels 1019 x 800 x 600 mm
Weight	69 kg
Enclosure colour	RAL 7032

### Ordering details

Design	Components external	Order No.
1x MCB S204M - C32A, 10kA 1x RCD F204A - 40A 0.03A 10kA 3x RCBO DS971 - C16A 0.03A, 10kA	1x Plug 32A 5-pole, 380-415V (06h) (GHG5127506R0001) 1x Flange socket 32A 5-pole, 380-415V (06h) (GHG5128506R0001) 6x Flange socket 16A 3-pole, 230V (06h) (GHG5118306R0001) actuating flap for components	<b>EXKO 233201 A0016</b>

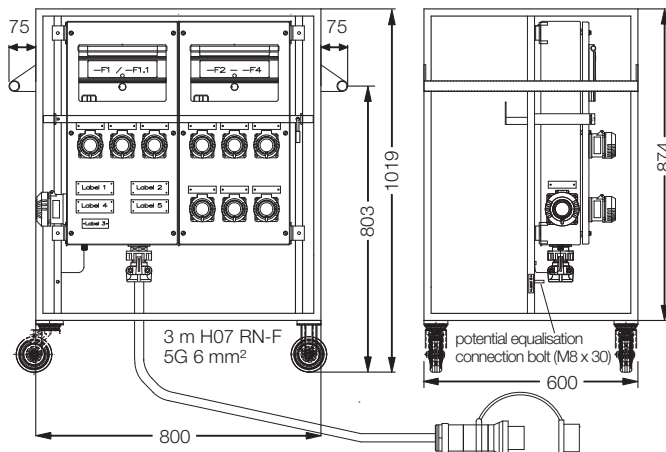
Option:

Padlock facility for enclosure cover

Enclosure material stainless steel AISI 316L

Customized solution for connection cable, plugs & sockets and rated voltage

### Dimension drawing



Dimensions in mm



only for illustration

1

### Technical data

Ex-protected portable power supply unit EXKO 233201 A0006	
Marking accd. to 94/9/EC	Ⓔ II 2 G Ex de IIC T4
EC-Type Examination Certificate	PTB 99 ATEX 1044
Permissible ambient temperature	-20 °C to +40 °C
Rated voltage	230/24 V transformer, 100 VA
Rated current	16 A
Frequency	50 Hz
Back-up fuse external	16 A gL / gG
Protection class	I
Degree of protection accd. to EN 60529	IP65
Cable entry	1x M25 Trumpet shaped cable gland, 1x M12 cable gland plastic
Enclosure material	glass-fibre reinforced polyester (option sheet steel, painted or stainless steel AISI 316L) Wall socket: glass-fibre reinforced polyester, plug: polyamide
Dimensions (H x W x D)	Metal frame stainless steel squared 20 x 20 x 2 with wheels 1062 x 500 x 336 mm
Weight	30 kg
Enclosure colour	black

### Ordering details

Design	Components external	Order No.
1x MCB S202M - K0.5A, 10kA 1x RCBO DS971 - C4A 0.03A, 10kA 1x transformer 230/24V 100VA	2x Flange socket 16A 3-pole, 24V (GHG5420007R0003) actuating flap for components	<b>EXKO 233201 A0006</b>

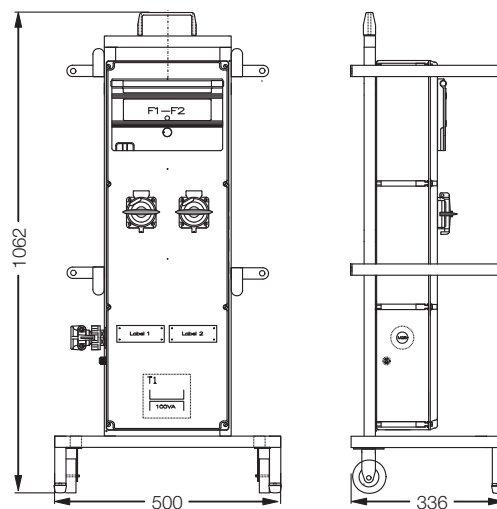
Option:

Padlock facility for enclosure cover

Enclosure material stainless steel AISI 316L

Customized solution for connection cable, plugs & sockets and rated voltage

### Dimension drawing



Dimensions in mm

## Ex-protected portable power supply units



only for illustration

### Technical data

#### Ex-protected portable power supply unit EXKO 233201 A0007

Marking accd. to 94/9/EC	Ex II 2 G Ex de IIC T4
EC-Type Examination Certificate	PTB 99 ATEX 1044
Permissible ambient temperature	-20°C up to +40°C
Rated voltage	110/24 V transformer, 500 VA
Rated current	16 A
Frequency	50 Hz
Back-up fuse external	25A gL / gG
Protection class	I
Degree of protection accd. to EN 60529	IP65
Cable entry	1 x M25 Trumpet shaped cable gland, 1 x M12 cable gland plastic
Enclosure material	glass-fibre reinforced polyester (option sheet steel, painted or stainless steel AISI 316L) Wall socket: glass-fibre reinforced polyester, plug: polyamide
Dimensions (H x W x D)	Metal frame stainless steel squared 20 x 20 x 2 with wheels 1062 x 774 x 336 mm
Weight	44 kg
Enclosure colour	black

### Ordering details

Design	Components external	Order No.
1x MCB S202P - K6A, 10kA 2x MCB S202M - C16A, 10kA 1x transformer 110/24V 550VA	1x Flange socket 16A 3-pole, 110V (GHG5118304R0001) 2x Flange socket 16A 2polig, 24V (GHG5420007R0004) actuating flap for components	<b>EXKO 233201 A0007</b>

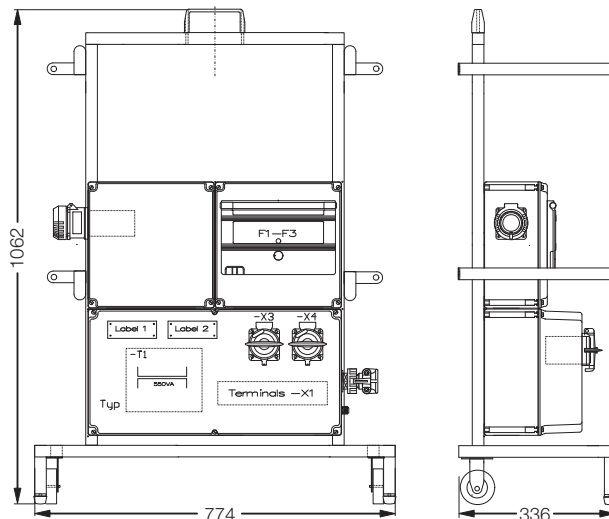
Option:

Padlock facility for enclosure cover

Enclosure material stainless steel AISI 316L

Customized solution for connection cable, plugs & sockets and rated voltage

### Dimension drawing



Dimensions in mm



only for illustration

1

## Technical data

### Ex-protected portable power supply unit EXKO 233201 A0014

Marking accd. to 94/9/EC	II 2 G Ex de IIC T4
EC-Type Examination Certificate	PTB 99 ATEX 1044
Permissible ambient temperature	-20°C up to +40°C
Rated voltage	230/42 V transformer, 550 VA
Rated current	16 A
Frequency	50 - 60 Hz
Back-up fuse external	16 A gL / gG
Protection class	I
Degree of protection accd. to EN 60529	IP65
Cable entry	1x M25 Trumpet shaped cable gland, 1x M12 cable gland plastic
Connecting cable	H07RN-F 3 x 1.5 mm <sup>2</sup> with plug 16A, 3 m
Enclosure material	glass-fibre reinforced polyester (option sheet steel, painted or stainless steel AISI 316L) Wall socket: glass-fibre reinforced polyester, plug: polyamide
Dimensions (H x W x D)	Metal frame stainless steel squared 20 x 20 x 2 with wheels 1062 x 500 x 336 mm
Weight	40 kg
Enclosure colour	black

## Ordering details

Design	Components external	Order No.
1x MCB S202P - K3A, 10kA 1x MCB S202M - C10A, 10kA 1x transformer 230/42V 550VA	2 x Flange socket 16 A 2-pole, 42 V (GHG5420007R0002) 1 x Plug 16 A 3-pole, 230 V 06 h (GHG5117306R0001) actuating flap for components	<b>EXKO 233201 A0014</b>

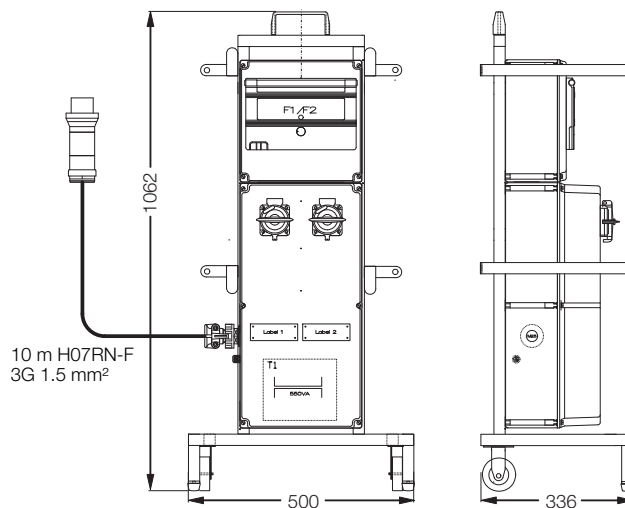
Option:

Padlock facility for enclosure cover

Enclosure material stainless steel AISI 316L

Customized solution for connection cable, plugs & sockets and rated voltage

## Dimension drawing



Dimensions in mm

## Ex-protected portable power supply units



EXKO 233201 A0019

### Technical data

#### Ex-protected portable power supply unit EXKO 233201 A0019

Marking accd. to 94/9/EC	Ex II 2 G Ex de IIC T4
EC-Type Examination Certificate	PTB 99 ATEX 1044
Permissible ambient temperature	-20°C up to +55°C
Rated voltage	240/42 V transformer, 400 VA
Rated current	16 A
Frequency	50 Hz
Back-up fuse external	16 A gL / gG
Protection class	I
Degree of protection accd. to EN 60529	IP65
Cable entry	1x M32 Trumpet shaped cable gland, 1x M12 cable gland plastic
Enclosure material	Sheet steel (option stainless steel AISI 316L) Wall socket: glass-fibre reinforced polyester, plug: polyamide
Dimensions (H x W x D)	Metal frame stainless steel squared 20 x 20 x 2 with wheels 1064 x 612 x 336 mm
Weight	38 kg
Enclosure colour	RAL 7032

### Ordering details

Design	Components external	Order No.
1x MCB S202M - K16A, 10kA 1x Ex-d Sicherung 2x T 2A 1x transformer 240/24V 400VA	4x Flange socket 16A 3-pole, 24V (GHG5425300V0000) 4x Plug 16A 3-pole, 24V (GHG5422300V0000) actuating flap for components	<b>EXKO 233201 A0019</b>

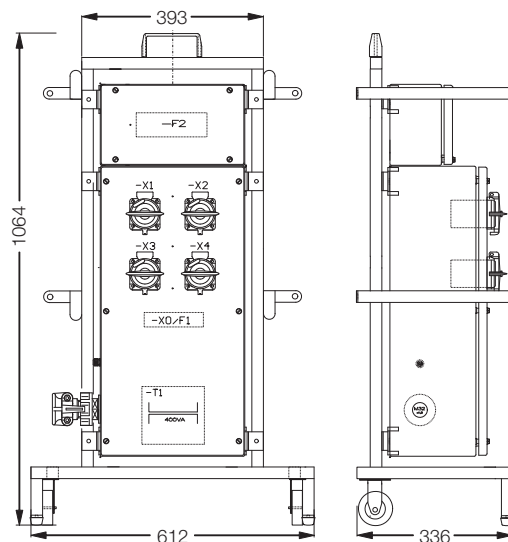
Option:

Padlock facility for enclosure cover

Enclosure material stainless steel AISI 316L

Customized solution for connection cable, plugs & sockets and rated voltage

### Dimension drawing



Dimensions in mm



EXKO 233201 A0021

## Technical data

### Ex-protected portable power supply unit EXKO 233201 A0021

Marking accd. to 94/9/EC	Ⓔ Ex II 2 G Ex de IIC T4 / Ⓔ Ex II 2 D IP65 T95°C
EC-Type Examination Certificate	PTB 99 ATEX 1044
Permissible ambient temperature	-20 °C to +40 °C
Rated voltage	207 V / 120 V
Rated current	32 A
Frequency	50 Hz
Back-up fuse external	63 A gL / gG
Protection class	I
Degree of protection accd. to EN 60529	IP65
Cable entry	1x M40 Trumpet shaped cable gland, 1x M12 cable gland plastic
Connecting cable	H07RN-F 5 x 10 mm <sup>2</sup> without plug, 10 m
Enclosure material	Plastic, metal plate AISI 304L Wall socket: glass-fibre reinforced polyester, plug: polyamide
Dimensions (H x W x D)	Metal frame 378 x 594 x 213 mm
Weight	25 kg
Enclosure colour	black

## Ordering details

Design	Components external	Order No.
1x MCB S202M - C32A, 10kA 3x Fi-LS DS971 - C16A 0.03A, 6kA	3x Wall socket 16A 3-pole, 120V (04h) (GHG5118304R0001) actuating flap for components	<b>EXKO 233201 A0021</b>

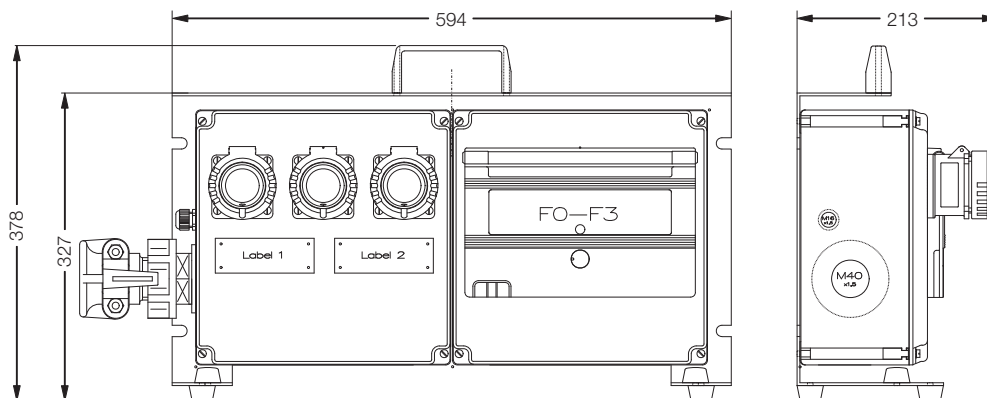
Option:

Padlock facility for enclosure cover

Enclosure material stainless steel AISI 316L

Customized solution for connection cable, plugs & sockets and rated voltage

## Dimension drawing



Dimensions in mm

## Ex-protected portable power supply units



only for illustration

### Technical data

#### Ex-protected portable power supply unit EXKO 233201 A0025

Marking accd. to 94/9/EC	Ex II 2 G Ex de IIC T4
EC-Type Examination Certificate	PTB 99 ATEX 1057
Permissible ambient temperature	-20 °C to +40 °C
Rated voltage	230/24 V transformer, 400 VA
Rated current	16 A
Frequency	50 Hz
Back-up fuse external	16 A gL / gG
Protection class	I
Degree of protection accd. to EN 60529	IP65
Cable entry	1x M25 Trumpet shaped cable gland, 1 x M12 cable gland plastic
connecting cable	H07RN-F 3 x 2.5 mm <sup>2</sup> with plug 16 A, 3 m
Enclosure material	Ex-d enclosure: die-cast aluminium, connection box: stainless steel AISI 316L Wall socket: glass-fibre reinforced polyester, plug: polyamide
Dimensions (H x W x D)	Metal frame stainless steel squared 20 x 20 x 2 including lockable wheels 936 x 720 x 369 mm
Weight	62 kg
Enclosure colour	RAL 7032

### Ordering details

Design	Components external	Order No.
1x MCB S202M - C10A, 10kA 1x MCB S202M - C13A, 10kA 1x power supply 230V AC / 24V DC 20A	1x Plug 16A 3-pole, 230V (06h) (GHG5117306R0001) 4x Wall socket 16A 3-pole, 24V (01h) (GHG5118301R0001) actuating flap for components	<b>EXKO 233201 A0025</b>

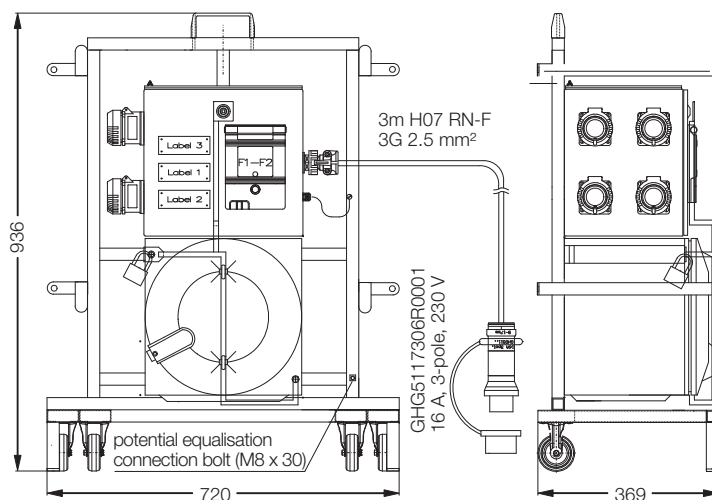
Option:

Padlock facility for enclosure cover

Enclosure material stainless steel AISI 316L

Customized solution for connection cable, plugs & sockets and rated voltage

### Dimension drawing



Dimensions in mm