



Technical data

Ex-wall socket 16 A- 125 A acc. to IEC 60309-1/2 up to 690 V

Marking accd. to 94/9/EC	⊕ D II 2 G Ex ed IIC T6 / ⊕ D II 2 D Ex tD A21 IP66 T80°C
Permissible ambient temperature	-20 °C to +40 °C ¹⁾
Rated voltage	230/400 V AC
Frequency	50/60 Hz
Protection class	I
Degree of protection accd. to EN 60529	IP66
Enclosure material	glass-fibre reinforced polyester

Wall socket 16 A

EC-Type Examination Certificate	PTB 99 ATEX 1039
Rated making / Rated breaking capacity	AC-3 accd. EN 60947-3: U _g 690 V / I _g 16 A
Cable entry	1 x M25 Ø 8 - 17 mm, 1 x M25 thread plug plastic
Rated current	16 A
External back-up fuse, max.	without therm. protection: 16 A/ with therm. protection 35 A gL (rated current 16 A set to)
Connecting terminals	2 x 1.5 - 4 mm ²

Wall socket 32 A

EC-Type Examination Certificate	PTB 99 ATEX 1044
IECEX Certificate of conformity	IECEX BKI 06.0007
Marking accd. to IECEx	Ex de ia/ib m [ia/ib] IIC T4...T6
Rated making / Rated breaking capacity	AC-3 accd. EN 60947-3: U _g 690 V / I _g 32 A
Cable entry	1 x M40 Ø 17 - 28 mm, 1 x M40 thread plug plastic
Rated current	32 A
External back-up fuse, max.	without therm. protection: 32 A/ with therm. protection 50 A gL (rated current 32 A set to)
Connecting terminals	2 x 4 - 10 mm ²

Wall socket 63 A

EC-Type Examination Certificate	PTB 00 ATEX 1070
Rated making / Rated breaking capacity	AC-3 accd. EN 60947-3: U _g 690 V / I _g 63 A
Cable entry	1 x M50 Ø 22 - 35 mm, 1 x M50 thread plug plastic
Rated current	63 A
External back-up fuse, max.	without therm. protection: 63 A/ with therm. protection 80 A gL (rated current 63 A set to)
Connecting terminals	2 x 4 - 25 mm ²

Wall socket 125 A

EC-Type Examination Certificate	PTB 01 ATEX 1069
Rated making / Rated breaking capacity	AC-3 accd. EN 60947-3: U _g 690 V / I _g 125 A
Cable entry	1 x M63 Ø 27 - 48 mm, 1 x M63 thread plug plastic
Rated current	125 A
External back-up fuse, max.	without therm. protection: 125 A/ with therm. protection 125 A gL (rated current 125 A set to)
Connecting terminals	2 x 4 - 70 mm ²

¹⁾ extended temperature range on request

Ex-Wall sockets 16 A- 125 A with status LED



Wall socket 16 A



Wall socket 32 A



Wall socket 63 A



Wall socket 125 A

Ordering details 16/32/63/125 A 3-pole, 4-pole and 5-pole up to 415V

Voltage	h	Type	Weight approx.	Order No.
Type 16 A line				
110 V - 130 V	4 h	Wall socket - 3 pole	1.3 kg	GHG 511 4304 R0301
200 V - 250 V	6 h	Wall socket - 3 pole	1.3 kg	GHG 511 4306 R0301
110 V - 130 V	4 h	Wall socket - 5 pole	1.9 kg	GHG 511 4504 R0301
380 V - 415 V	6 h	Wall socket - 5 pole	1.9 kg	GHG 511 4506 R0301
240 V - 415 V	8 h	Wall socket - 5 pole	1.9 kg	GHG 511 4508 R0301
Type 16 A load				
110 V - 130 V	4 h	Wall socket - 3 pole	1.3 kg	GHG 511 4304 R0351
200 V - 250 V	6 h	Wall socket - 3 pole	1.3 kg	GHG 511 4306 R0351
110 V - 130 V	4 h	Wall socket - 5 pole	1.9 kg	GHG 511 4504 R0351
380 V - 415 V	6 h	Wall socket - 5 pole	1.9 kg	GHG 511 4506 R0351
240 V - 415 V	8 h	Wall socket - 5 pole	1.9 kg	GHG 511 4508 R0351
Type 32 A line				
110 V - 130 V	4 h	Wall socket - 5 pole	2.8 kg	GHG 619 0001 R0001
380 V - 415 V	6 h	Wall socket - 5 pole	2.8 kg	GHG 619 0001 R0002
380 V - 415 V	8 h	Wall socket - 5 pole	2.8 kg	GHG 619 0001 R0003
Type 32 A load				
110 V - 130 V	4 h	Wall socket - 5 pole	2.8 kg	GHG 619 0001 R0004
380 V - 415 V	6 h	Wall socket - 5 pole	2.8 kg	GHG 619 0001 R0005
380 V - 415 V	8 h	Wall socket - 5 pole	2.8 kg	GHG 619 0001 R0006
Type 63 A line				
110 V - 130 V	4 h	Wall socket - 5 pole	8.2 kg	GHG 514 4504 R0301
380 V - 415 V	6 h	Wall socket - 5 pole	8.2 kg	GHG 514 4506 R0301
380 V - 415 V	8 h	Wall socket - 5 pole	8.2 kg	GHG 514 4508 R0301
Type 63 A load				
110 V - 130 V	4 h	Wall socket - 5 pole	8.2 kg	GHG 514 4504 R0351
380 V - 415 V	6 h	Wall socket - 5 pole	8.2 kg	GHG 514 4506 R0351
380 V - 415 V	8 h	Wall socket - 5 pole	8.2 kg	GHG 514 4508 R0351
Type 125 A line				
110 V - 130 V	4 h	Wall socket - 5 pole	12.6 kg	GHG 515 4504 R0301
380 V - 415 V	6 h	Wall socket - 5 pole	12.6 kg	GHG 515 4506 R0301
380 V - 415 V	8 h	Wall socket - 5 pole	12.6kg	GHG 515 4508 R0301
Type 125 A load				
110 V - 130 V	4 h	Wall socket - 5 pole	12.6 kg	GHG 515 4504 R0351
380 V - 415 V	6 h	Wall socket - 5 pole	12.6 kg	GHG 515 4506 R0351
380 V - 415 V	8 h	Wall socket - 5 pole	12.6 kg	GHG 515 4508 R0351

Other voltage ranges and h-codes on request.



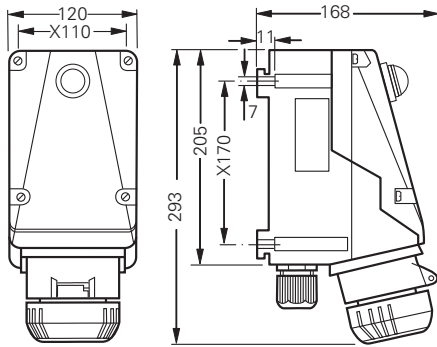
Wall socket 16 A

Wall socket 32 A

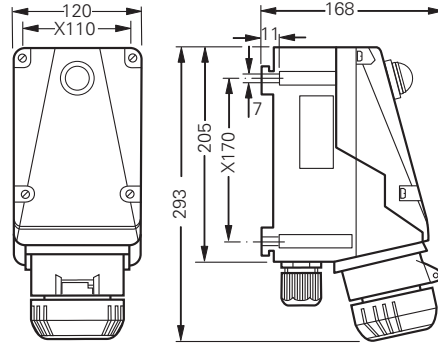
Wall socket 63 A

Wall socket 125 A

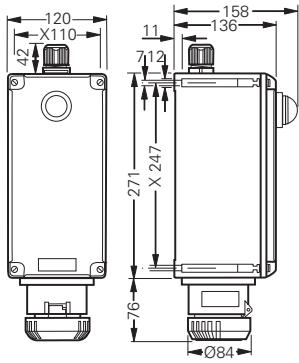
Dimension drawing | Wiring diagram



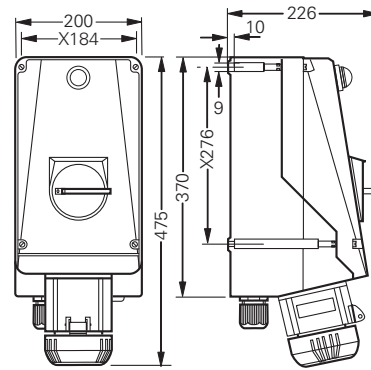
Wall socket 16 A 3-pole



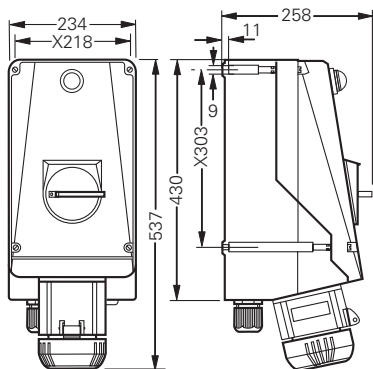
Wall socket 16 A 5-pole



Wall socket 32 A 5-pole

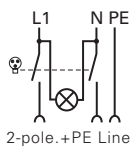


Wall socket 63 A 5-pole

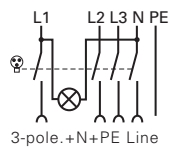


Wall socket 125 A 5-pole

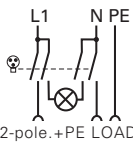
X = fixing dimensions



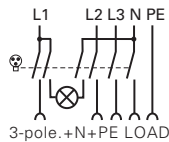
2-pole.+PE Line



3-pole.+N+PE Line



2-pole.+PE LOAD



3-pole.+N+PE LOAD